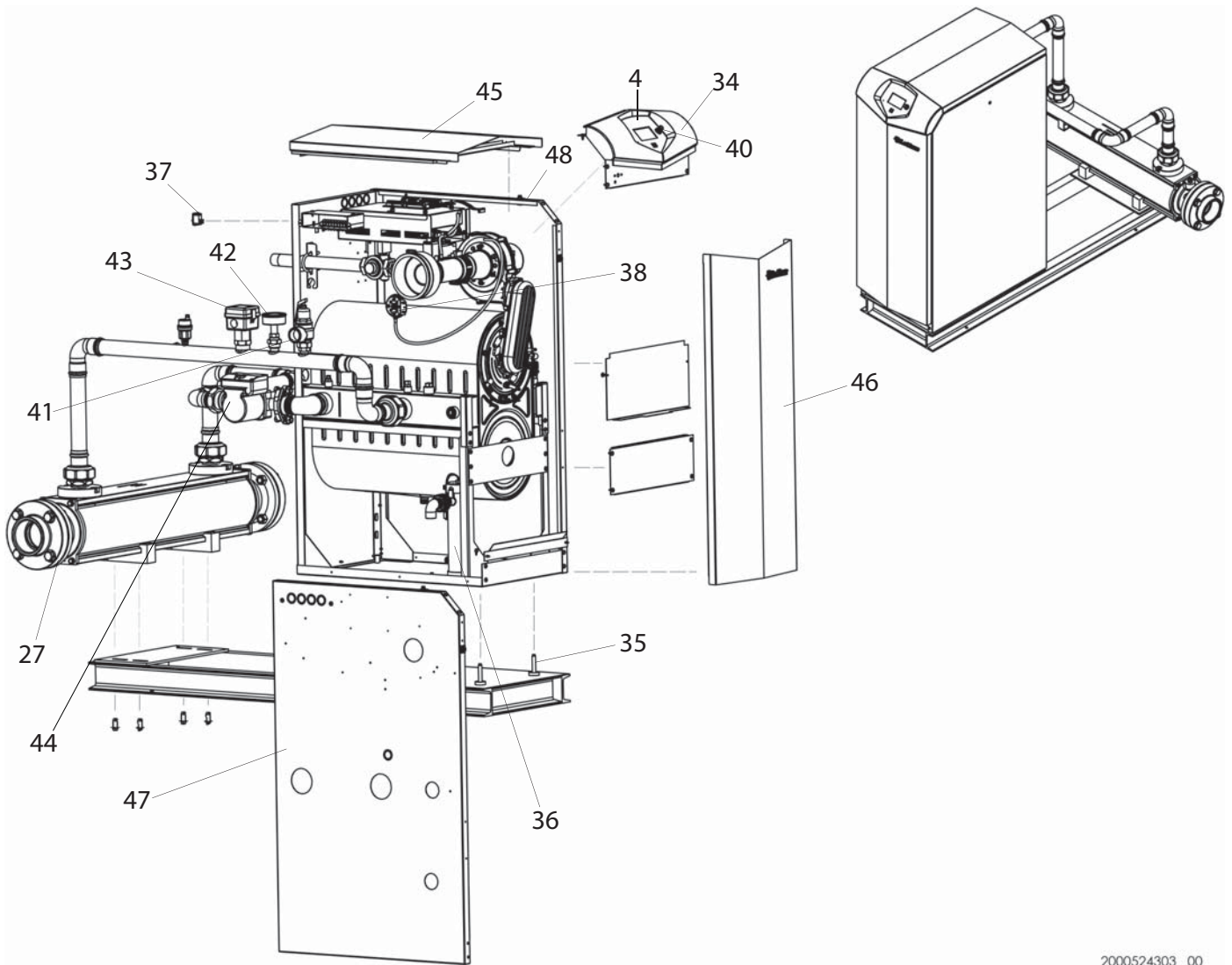




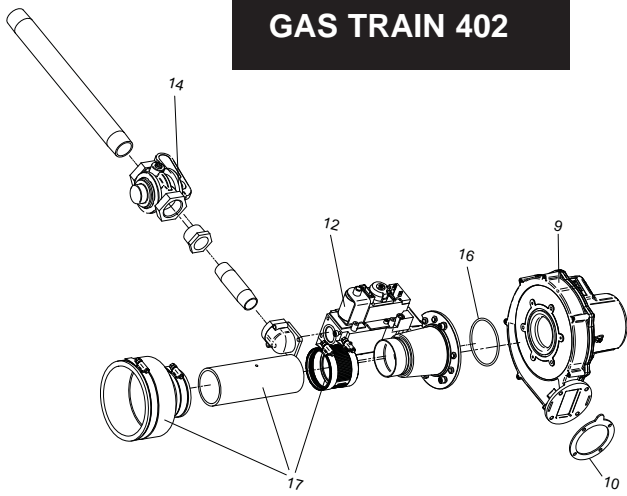
PARTS & SERVICE DEPARTMENT
 Nashville, Tennessee
 615-889-8900 • Fax: 615-882-2918
 parts_team@lochinvar.com
 www.Lochinvar.com

Replacement Parts List

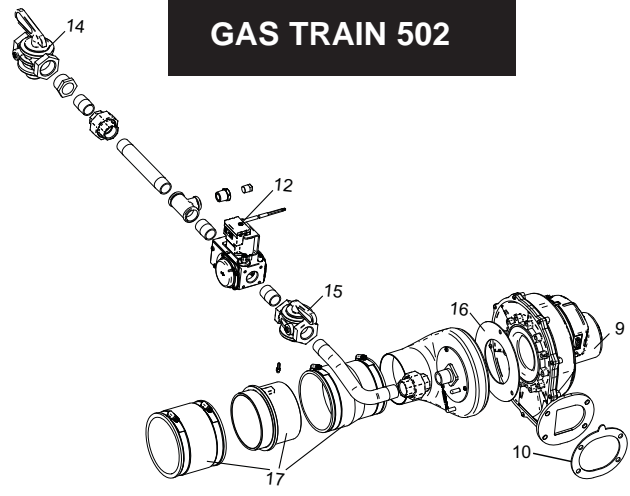
KnightXL®
AQUAS™ COMMERCIAL POOL PACKAGE
XP 402 - 802



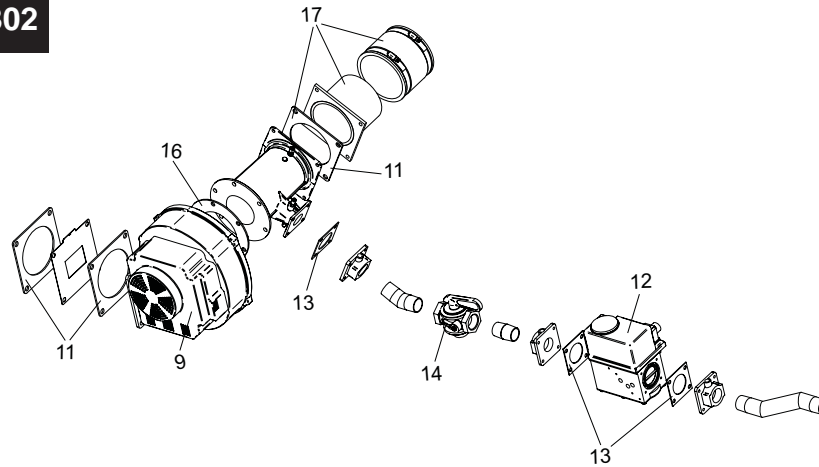
GAS TRAIN 402



GAS TRAIN 502

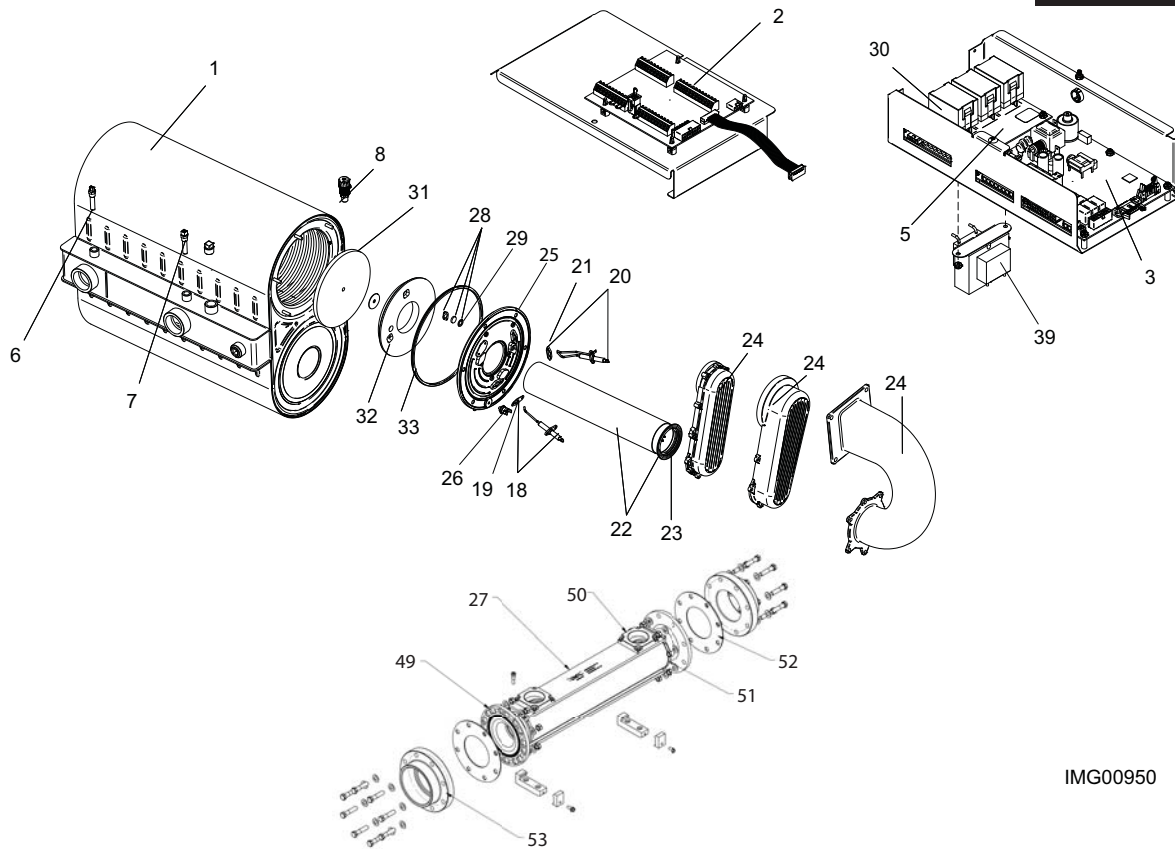


GAS TRAIN 602-802



PRIMARY HEAT EXCHANGER

CONTROL PANEL



IMG00950

SECONDARY/AUXILIARY HEAT EXCHANGER

ITEM NO.	PART NO.	LEGACY NO.	DESCRIPTION	MODEL
HEAT EXCHANGER ASSEMBLY				
1	100147457	HEX3081	HEAT EXCHANGER	XP 402
1	100147458	HEX3082	HEAT EXCHANGER	XP 502
1	100147460	HEX3088	HEAT EXCHANGER	XP 602
1	100147461	HEX3089	HEAT EXCHANGER	XP 702
1	100147462	HEX3090	HEAT EXCHANGER	XP 802
CONTROLS				
2	100167579	RLY20062	LOW VOLTAGE CONNECTION BOARD	ALL
3	100167830	RLY30072	INTEGRATED CONTROL	XP 402
3	100167831	RLY30073	INTEGRATED CONTROL	XP 502
3	100167832	RLY30074	INTEGRATED CONTROL	XP 602 - 802
4	100167575	RLY20058	USER INTERFACE CONTROL	ALL
5	100167683	RLY2085	RELAY BOARD, 1.5 HP PUMP	ALL
6	100170596	TST2060	INLET SENSOR	ALL
7	100170537	TST20009	OUTLET SENSOR/ HIGH LIMIT	ALL
8	100167445	RLV30000	AIR VENT VALVE	ALL
9	100145008	FAN3035	FAN ASSEMBLY	XP 402
9	100145009	FAN3037	FAN ASSEMBLY	XP 502
9	100144980	FAN30001	FAN ASSEMBLY	XP 602 - 802
10	100146541	GKT2436	BLOWER/AIR ARM GASKET	XP 402
10	100146542	GKT2438	BLOWER/AIR ARM GASKET	XP 502
11	100146458	GKT2034	BLOWER/AIR ARM GASKET	XP 602 - 802
GAS VALVES				
12	100172006	VAL3204	GAS VALVE ASSEMBLY	XP 402
12	100172009	VAL3207	GAS VALVE ASSEMBLY NAT	XPN502
12	100172014	VAL3212	GAS VALVE ASSEMBLY NAT	XPN602
12	100171923	VAL30006	GAS VALVE ASSEMBLY NAT	XPN702
12	100172015	VAL3213	GAS VALVE ASSEMBLY NAT	XPN802
12	100171928	VAL30011	GAS VALVE ASSEMBLY LP	XPL502
12	100171929	VAL30012	GAS VALVE ASSEMBLY LP	XPL602
12	100171930	VAL30013	GAS VALVE ASSEMBLY LP	XPL702
12	100171931	VAL30014	GAS VALVE ASSEMBLY LP	XPL802
13	100146470	GKT2050	GAS VALVE GASKET	XP 602 - 802
14	100146149	GAC2029	GAS CUT OFF VALVE 1X1	XP 402, 602-802
15	100146148	GAC2028	GAS CUT OFF VALVE 3/4 X 3/4	XP 502
16	100146547	GKT2444	GASKET, VENTURI	XP 402
16	100146494	GKT2080	AIR SHROUD GASKET	XP 502
16	100146469	GKT2049	GASKET, VENTURI	XP 602 - 802
17	100163254	MSC3185	AIR INLET KIT	XP 402
17	100163256	MSC3187	AIR INLET KIT	XP 502
17	100163255	MSC3186	AIR INLET KIT	XP 602 - 802
PILOT & BURNER ASSEMBLIES				
18	100165930	PLT3022	FLAME SENSOR W/ GASKET	XP 402 - 502
18	100165931	PLT3023	FLAME SENSOR W/ GASKET	XP 602 - 802
19	100146550	GKT2450	GASKET, FLAME SENSOR	ALL
20	100165929	PLT3021	IGNITOR W/ GASKET	XP 402 - 502
20	100165920	PLT30000	IGNITOR W/ GASKET	XP 602 - 802
21	100146549	GKT2449	GASKET, IGNITOR	ALL
22	100135311	BNR3429	BURNER W/ GASKET	XP 402 - 502
22	100135313	BNR3432	BURNER W/ GASKET	XP 602
22	100135314	BNR3433	BURNER W/ GASKET	XP 702
22	100135315	BNR3434	BURNER W/ GASKET	XP 802
23	100146551	GKT2451	GASKET, BURNER	XP 402 - 502
23	100146481	GKT2062	GASKET, BURNER	XP 602 - 802
24	100173792	WTR3078	GAS/AIR ARM ASSEMBLY W/ GASKET	XP 402
24	100173793	WTR3079	GAS/AIR ARM ASSEMBLY W/ GASKET	XP 502
24	100173798	WTR3085	GAS/AIR ARM ASSEMBLY W/ GASKET	XP 602 - 802
25	100173794	WTR3080	HEAT EXCHANGER ACCESS DOOR KIT	XP 402 - 502
25	100173799	WTR3086	HEAT EXCHANGER ACCESS DOOR KIT	XP 602 - 802
INDIRECT HEAT EXCHANGER				
26	100094572	HLC20005	HEX DOOR TEMP SWITCH BEGINNING SERIAL # F14	ALL
27	100208919	HEX30103	KIT, HEAT EXCHANGER, INDIRECT, CUNI, 1.0, SVC	XP 402 - 602
27	100208920	HEX30104	KIT, HEAT EXCHANGER, INDIRECT, CUNI, 1.5, SVC	XP 702 - 802
27	100208922	HEX30106	KIT, HEAT EXCHANGER, INDIRECT, TI, 1.0, SVC	XP 402 - 602
27	100208923	HEX30107	KIT, HEAT EXCHANGER, INDIRECT, TI, 1.5, SVC	XP 702 - 802

PLEASE HAVE MODEL AND SERIAL NUMBER WHEN ORDERING PARTS

ITEM NO.	PART NO.	LEGACY NO.	DESCRIPTION	MODEL
MISCELLANEOUS				
28	100163249	MSC3180	SIGHT GLASS	ALL
29	100146553	GKT2453	GASKET, SIGHT GLASS	ALL
30	100167708	RLY2222	RELAY, 1.5 HP PUMP	ALL
31	100145494	FIB2167	DIVIDER PLATE, INSULATION BAFFLE	ALL
32	100145495	FIB2168	BURNER PLATE, INSULATION, DOOR	XP 402 - 502
32	100145476	FIB2146	BURNER PLATE, INSULATION, DOOR	XP 602 - 802
33	100146555	GKT2455	GASKET DOOR RUBBER	XP 402 - 502
33	100146482	GKT2063	GASKET DOOR RUBBER	XP 602 - 802
34	100162908	MSC2177	DISPLAY BEZEL	ALL
35	100134788	BLT2104	LEVELING LEGS	ALL
36	100163244	MSC30050	CONDENSATE TRAP	ALL
-	100169481	SWT2011	BLOCKED DRAIN SWITCH	ALL
37	100169476	SWT2006	ON/OFF SWITCH	ALL
38	100166100	PRS20002	PRESSURE SWITCH	XP 402
38	100166114	PRS20020	PRESSURE SWITCH	XP 502
38	100166113	PRS20019	PRESSURE SWITCH	XP 602 - 802
39	100170172	TRF20000	TRANSFORMER, 40VA	XP 402 - 702
39	100170173	TRF20002	TRANSFORMER, 60VA	XP 802
40	100162600	MSC20123	KNOB, FLUTED W/ SKIRT	ALL
41	100167399	RLV2002	RELIEF VALVE 30 PSI	ALL
42	100146999	GTP2900	GAUGE TRIOMETER, 75# PSI	ALL
43	100173714	WTR2210	FLOW SWITCH	ALL
-	100146010	FUS20001	0.8 AMP	ALL
-	100146012	FUS2001	3.15 AMP	ALL
-	100146013	FUS2002	5 AMP	ALL
-	100163053	MSC2514	HIGH VOLTAGE CONNECTION BOARD	ALL
-	100170642	TST30011	FLUE TEMP SENSOR KIT	ALL
-	100157718	KIT3078	SYSTEM SENSOR KIT	ALL
-	100173646	WTR20009	MRLWCO WITH TEST	ALL
-	100157721	KIT3087	NEUTRALIZER KIT	XP 402 - 502
-	100157700	KIT3046	NEUTRALIZER KIT	XP 602 - 802
-	100157719	KIT3085	ALARM BELL	ALL
-	100159011	LPK3949	LP CONVERSION KIT	XP 402
-	100159012	LPK3950	LP CONVERSION KIT	XP 502 - 802
-	100170581	TST2032	SYSTEM SENSOR	ALL
-	100170590	TST2044	BULB WELL 1/4"	ALL
-	100148402	HLC30000	LIMIT, HEAT EXCHANGER OVER TEMP	ALL
PUMP				
44	100166418	PUM30020	PUMP	XP 402 - 502
44	100166416	PUM30018	PUMP	XP 602 - 802
JACKET ASSEMBLY				
45	100149689	JKB30009	JACKET, TOP	XP 402
45	100149690	JKB30010	JACKET, TOP	XP 502
45	100149691	JKB30011	JACKET, TOP	XP 602
45	100149692	JKB30012	JACKET, TOP	XP 702
45	100267269	JKB40030	JACKET, TOP	XP 802
46	100189058	JKB30116	JACKET, FRONT	ALL
47	100149878	JKB40102	JACKET, LEFT SIDE	XP 402
47	100149861	JKB40084	JACKET, LEFT SIDE	XP 502
47	100149862	JKB40085	JACKET, LEFT SIDE	XP 602
47	100149863	JKB40086	JACKET, LEFT SIDE	XP 702
47	100149864	JKB40087	JACKET, LEFT SIDE	XP 802
48	100150356	JKB60250	JACKET, RIGHT SIDE	XP 402
48	100150359	JKB60258	JACKET, RIGHT SIDE	XP 502
48	100150361	JKB60263	JACKET, RIGHT SIDE	XP 602
48	100150362	JKB60265	JACKET, RIGHT SIDE	XP 702
48	100150364	JKB60267	JACKET, RIGHT SIDE	XP 802
49	100209139	PVC30036	KIT, END CAP FLANGE 3" ID AQUAS ALFA LAVA	XP 402 - 602
49	100209140	PVC30037	KIT, END CAP FLANGE 4" ID AQUAS ALFA LAVA	XP 702 - 802
50	100208989	MSC30098	KIT, O-RING 139.7 X 5.33, END CAP	XP 402 - 802
51	100232478	MSC30099	KIT, O-RING 78.97 X 3.53, BOILER CONNECTION	XP 402 - 802
52	100146441	GKT20144	GASKET, 3", EPDM	XP 402 - 602
52	100146433	GKT20130	GASKET, 4", EPDM	XP 702 - 802
53	100166553	PVC20103	FLANGE, 3", CPVC	XP 402 - 602
53	100166550	PVC20100	FLANGE, 4", CPVC	XP 702 - 802

PLEASE HAVE MODEL AND SERIAL NUMBER WHEN ORDERING PARTS